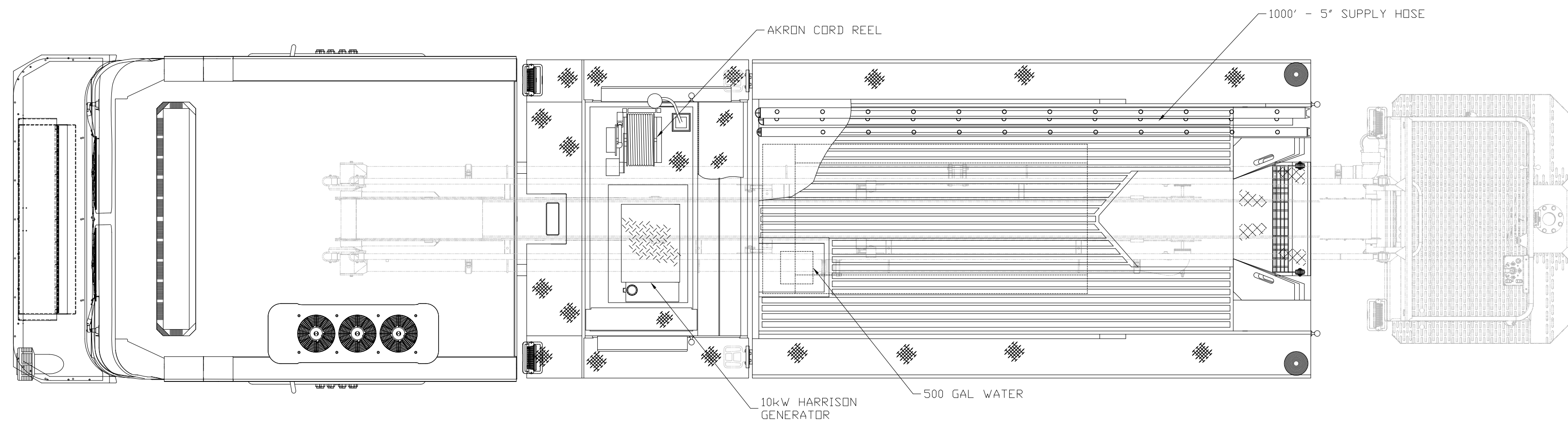
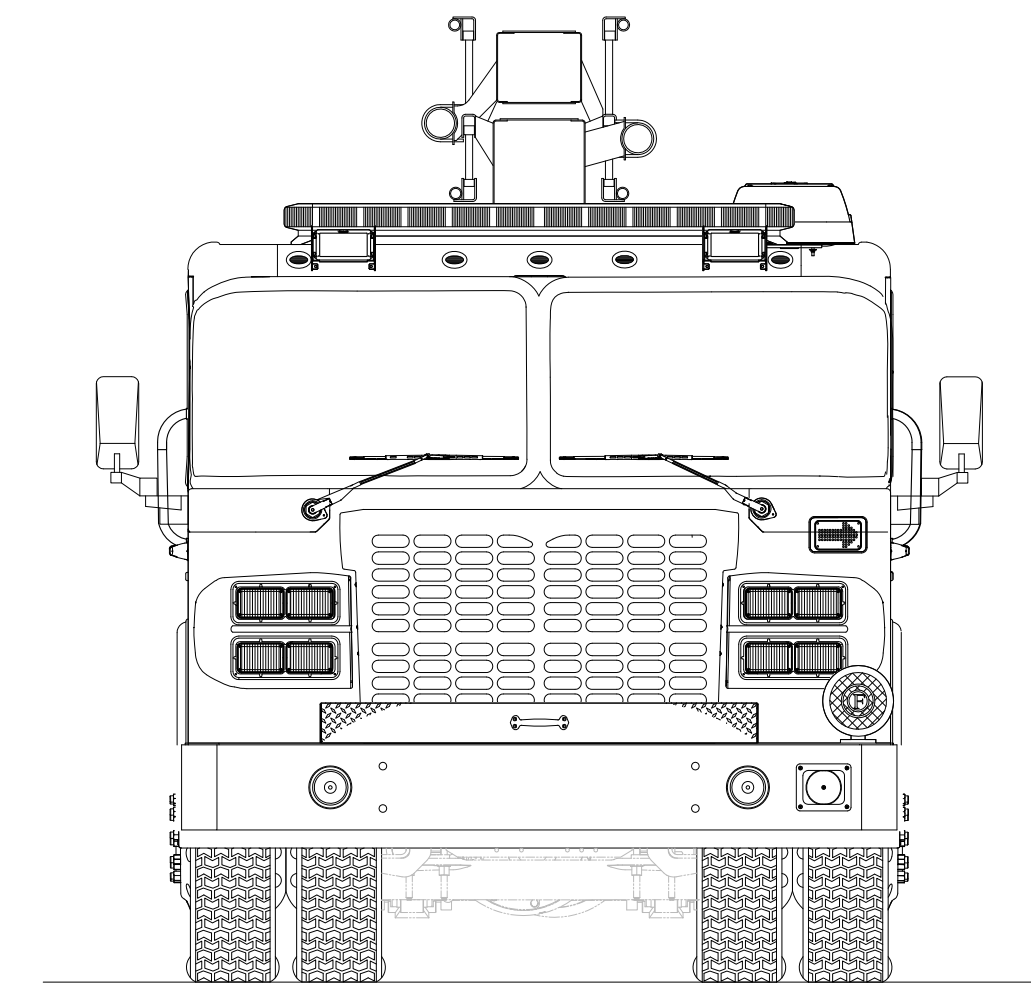
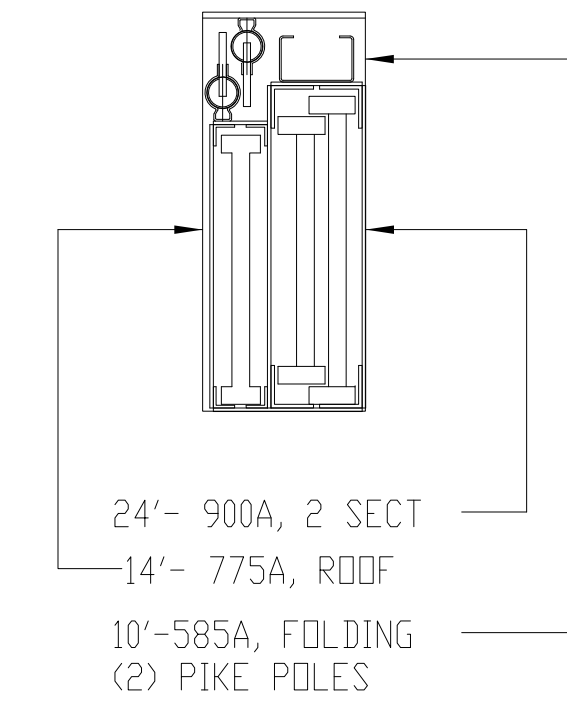


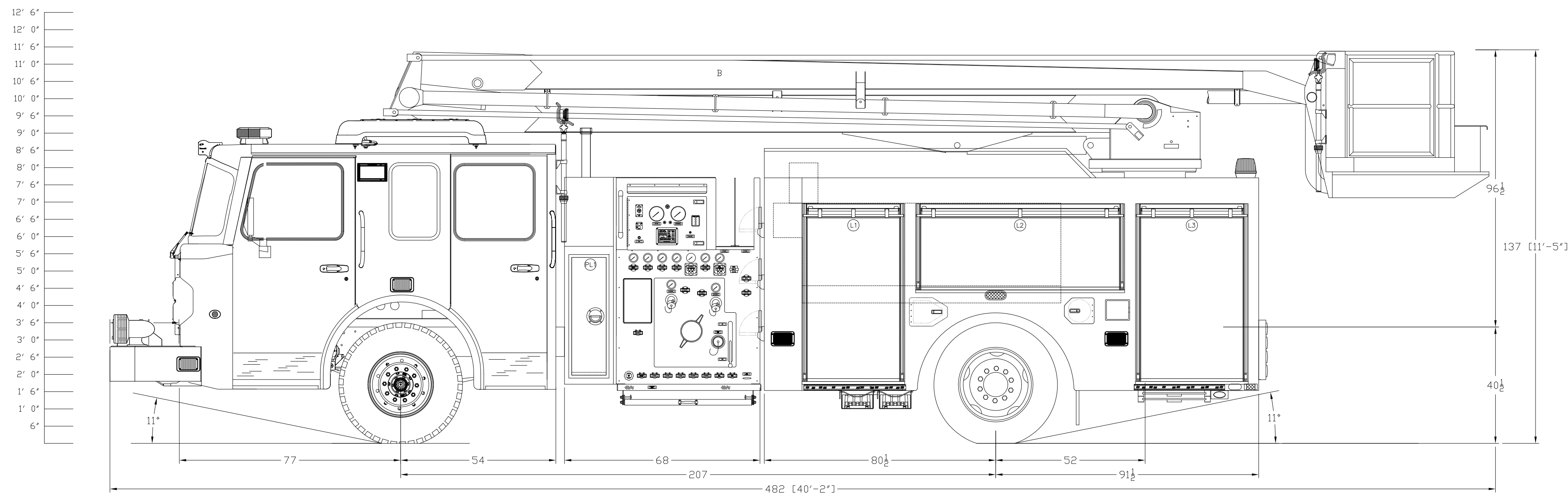
OFFICER'S VIEW



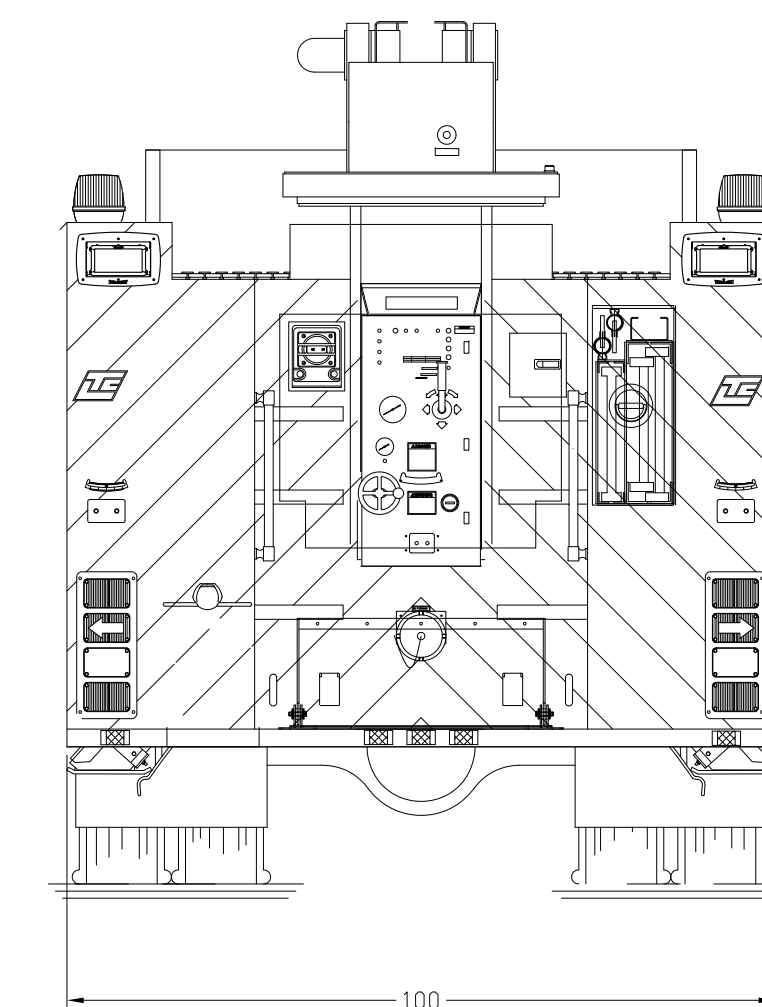
TOP VIEW



LADDER BANKING




DRIVER'S VIEW



COMPT.	CLEAR DOOR OPENING (W x H):	COMPARTMENT INTERIOR (W x H x LD/UD):	NOTES:
PL1/PRI	12.00W X 64.00H	17.00W X 67.875.75H X 24.00D	
L1	32.00W X 55.875H	35.00W X 69.75H X 25.50D	
L2	69.00W X 24.00H	72.00W X 37.875H X 25.50D	
L3	35.5W X 55.875H	38.75W X 69.75H X 25.50D	
R1	32.00W X 55.875H	35.00W X 69.75H X 12.00D 12.00D UPPER 25.50D LOWER	INT. DIVIDE: 29.875'
L2	69.00W X 24.00H	72.00W X 37.875H X 12.00D 12.00D UPPER 25.50D LOWER	INT. DIVIDE: 29.875'
L3	35.5W X 55.875H	38.75W X 69.75H X 25.50D	

REV.	REVISION NOTE / CD#:	DATE:	DRAWN BY:
1	INITIAL DRAWING	5/12/16	CL



LADDER TOWER CO.
A SMEAL COMPANY

BUILD FACILITY: EPHRATA, PA

Tolerance: In: ±.50° Ang: ±.50°	Units: Inches Frame Height: 40.5"±	Customer: LTC STOCK 55' SNORKEL	City / State: EPHRATA, PA
Dealer:	S/N:	Dwg. File: 16309-01	Sheet: 1 of 1
Quote Number:			Rev: