

Chassis

- Spartan MetroStar LFD 10" Raised Roof
- Seating Capacity: 6
- Cummins ISL 450 HP
- Allison 3000 EVS Transmission
- Extreme Duty Interior
- Occupant Advanced Protection System
- Front: 20,000 lbs. Rear: 27,000 lbs.
- 21" Front Bumper Extension
- 177.5" Wheelbase

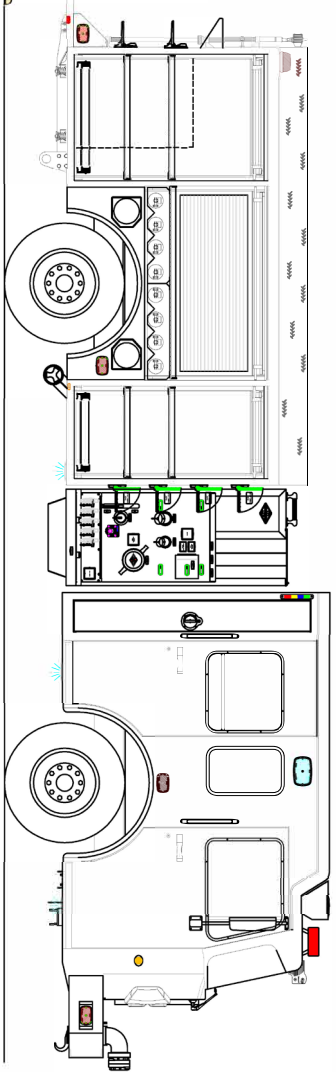
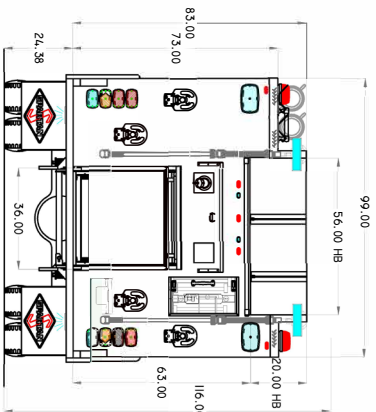
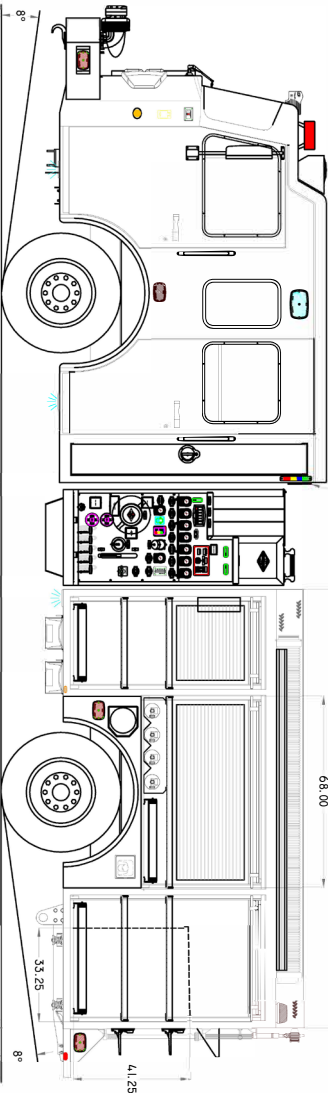
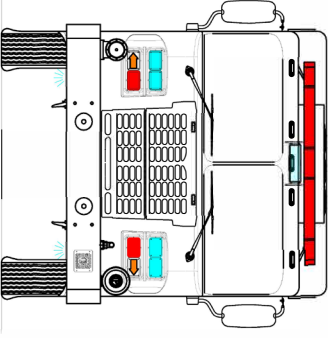
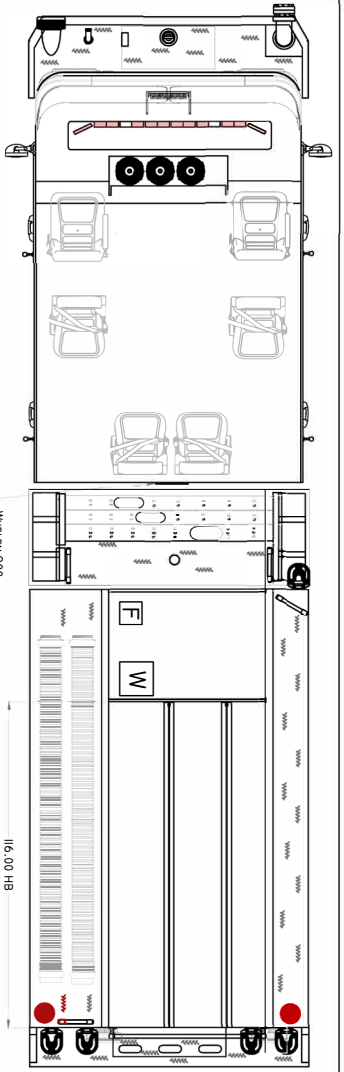
Pump and Plumbing

- Hale DSD 1500 GPM Pump
- FRC InControl 400 Pressure Governor
- 750 Gallon Tank Capacity
- (1) 2.5" Left Side Auxiliary Inlet
- (1) 2.5" Right Side Auxiliary Inlet
- (1) 2.5" Left Side Discharge
- (1) 2.5" Right Side Discharge
- (1) 3" Right Side Discharge
- (1) 2.5" Right Rear Discharge
- (1) 3" Deck Gun Discharge
- (2) 1.75" Crosslays & (1) 2.5" Crosslay
- Front Bumper Discharge
- (1) 2" Tank Fill

Body

- 156" Formed Aluminum Body
- Vibra-Torque Body Mounting System
- ROM Roll-up Doors
- Full Height w/ Split Depth Compartments/ Ladders Right
- Left Side Overwheel Roll Out Drawer
- Right Side Overwheel SCBA Storage
- Durable Compartment Finish
- LED Compartment Lighting
- Whelen LED Lighting Package
- Whelen PCP2 Side Scene Lights

Compartment	Volume (Cubic Feet)
L1	40,896
L2	48,088
L3	50,645
R1	29,392
R2	27,369
R3	36,401
B1	31,162
Hose Bed Area	75,185



CHASSIS: SPARTAN METRO STAIR LFD 10' RR
 ENGINE: CUMMINS L9 450 HP
 TRANSMISSION: ALLISON 3000 EUS
 AXLES: F 20,000 LB / R 27,000 LB

MODEL: 2107
 WATER/FOAM: 750 GALLONS / 20 GALLONS

PUMP: HALE DSD 1500 GPM

FOAM SYSTEM: N/A

GENERATOR: N/A

DOOR FRAMED OPENINGS	
COMPARTMENT	DOOR FRAMED OPENING
L1	32.25-W X 68.0-H
L2	68.0-W X 43.0-H
L3	44.25-W X 68.0-H
R1	32.25-W X 68.0-H
R2	68.0-W X 43.0-H
R3	44.25-W X 68.0-H
B1	36.0-W X 57.25-H

SPECIAL NOTES:
 LADDER PACKAGE
 (1) DIS-SAFETY 26 FT. 2-SEC. 900A
 (1) DIS-SAFETY 16 FT. ROOF 775A
 (1) DIS-SAFETY 18 FT. ATTC. 585A
 STORAGE FOR
 (2) PAIR FUSES WITH STAIRMAN HOOK
 (1) AERON TALKIE HOOK, UP TO LEFT LANE

THIS DRAWING IS A CLOSE APPROXIMATION OF YOUR FIRE WRITTEN SPECIFICATION. THE SPECIFICATION DIFFERS FROM THE WRITTEN SPECIFICATION. PLEASE WORK WITH YOUR DEALER TO ASSURE THAT THE WRITTEN SPECIFICATION REPRESENTS WHAT YOU WANT IN BUILDS TO THE WRITTEN SPECIFICATION, NOT THE DRAWING TO ASSURE THAT YOUR NEEDS ARE MET.

PROPRIETARY AND CONFIDENTIAL
 THE INFORMATION CONTAINED IN THIS DRAWING IS THE SOLE PROPERTY OF SPARTAN EMERGENCY RESPONSE. ANY REPRODUCTION OR TRANSMISSION OF SPARTAN EMERGENCY RESPONSE IS PROHIBITED. SPARTAN MOTORS SQA, INC. DBA SPARTAN EMERGENCY RESPONSE.

REV	DATE	DESCRIPTION	NAME
2	11/2/18	ENG UPDATES-MIGRATION	SS/SD
1	5/11/17	CHANGES FROM VARIKUP	W.C.
0	03/24/16	INITIAL PROPOSAL	M.G.H.

CUSTOMER: SCALE: NOT TO SCALE
 TRUCK NUMBER: MODEL 2107-08
 DEALER: